

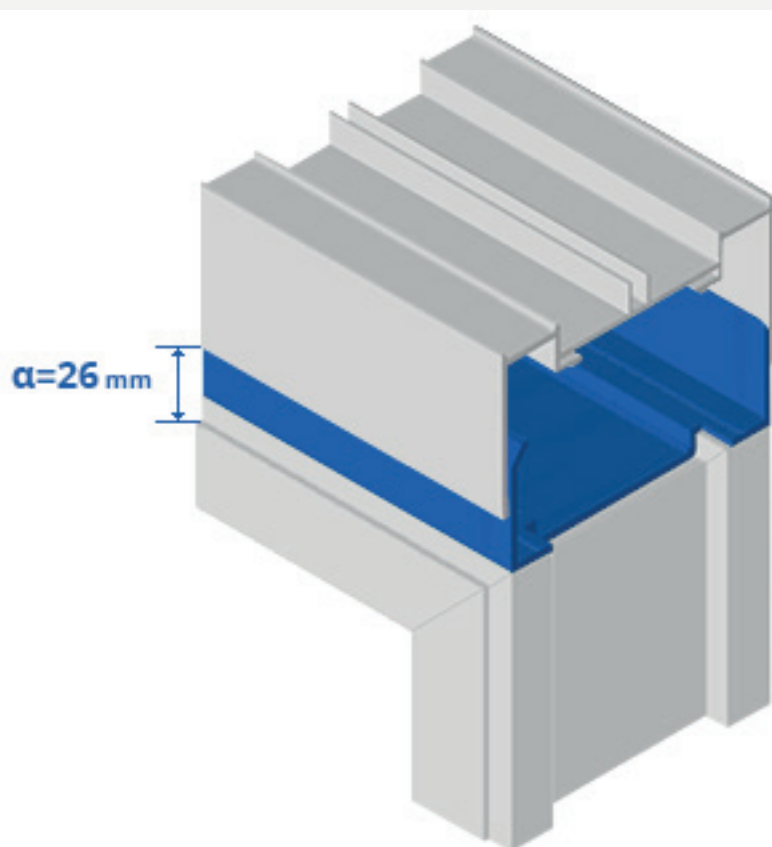
ADJUSTMENT PROFILE

Our new door adjustment profile can compensate uneven floor-ceiling heights on site.



The door height adjustment profile is a clever technical solution to adjust full-height doorsets – up to 26 mm.

This solution is particularly useful when it comes to standardizing door heights.



Moreover, the adjustment profile offers the following advantages :

- Reduction of production and installation time.
- Easy installation, identification and sorting out of doors on job site.

Our sales team is at your disposal, do not hesitate to contact us.

More information on our website

 [Official website](#)

 [Documentation](#)

 [Press and media](#)

HEADQUARTERS

• 4-8, rue des Carriers Italiens
Z.A.C. Centre Ville
91350 Grigny - France

• Tel. : +33 (0)1 69 02 44 00

• contact@abcd-international.fr
www.abcd-international.fr

OUTLET

• 213, rue Jean Deurrieu
Z.A.C. du Sagnon
13690 Graveson - France

• Tel. : +33 (0)4 86 19 45 05

• contactsud@abcd-international.fr
www.abcd-international.fr

FOLLOW US

 [INSTAGRAM](#)

 [FACEBOOK](#)

 [LINKEDIN](#)